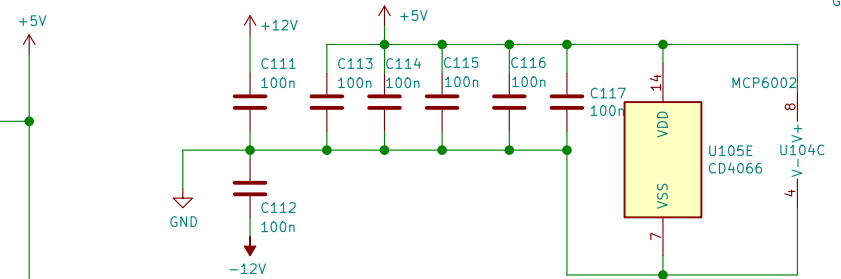
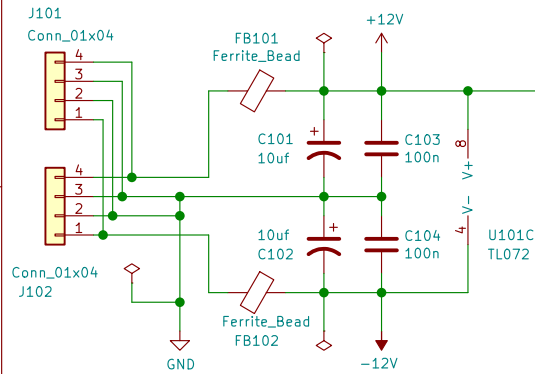
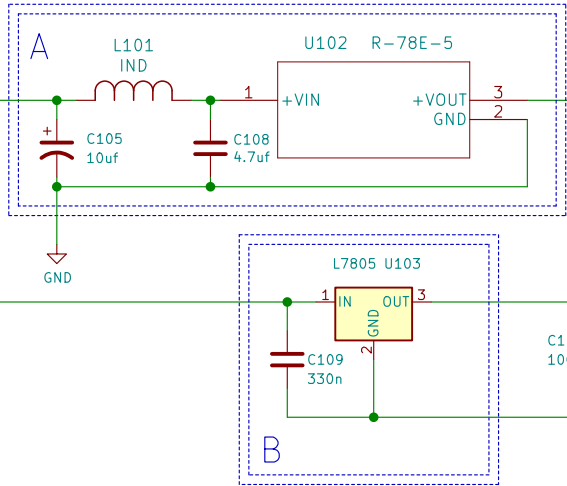


instal either (A) the R-78E 5.0 and it's components
or (B) the L7805 with a heat sink and C109



clee CV2MIDI 2 channel control voltage to MIDI converter

Sheet: /
File: CV2MIDI.sch

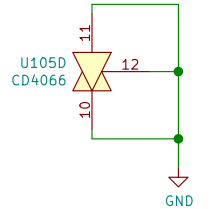
Title:

Size: A4 Date: 3/19/20205

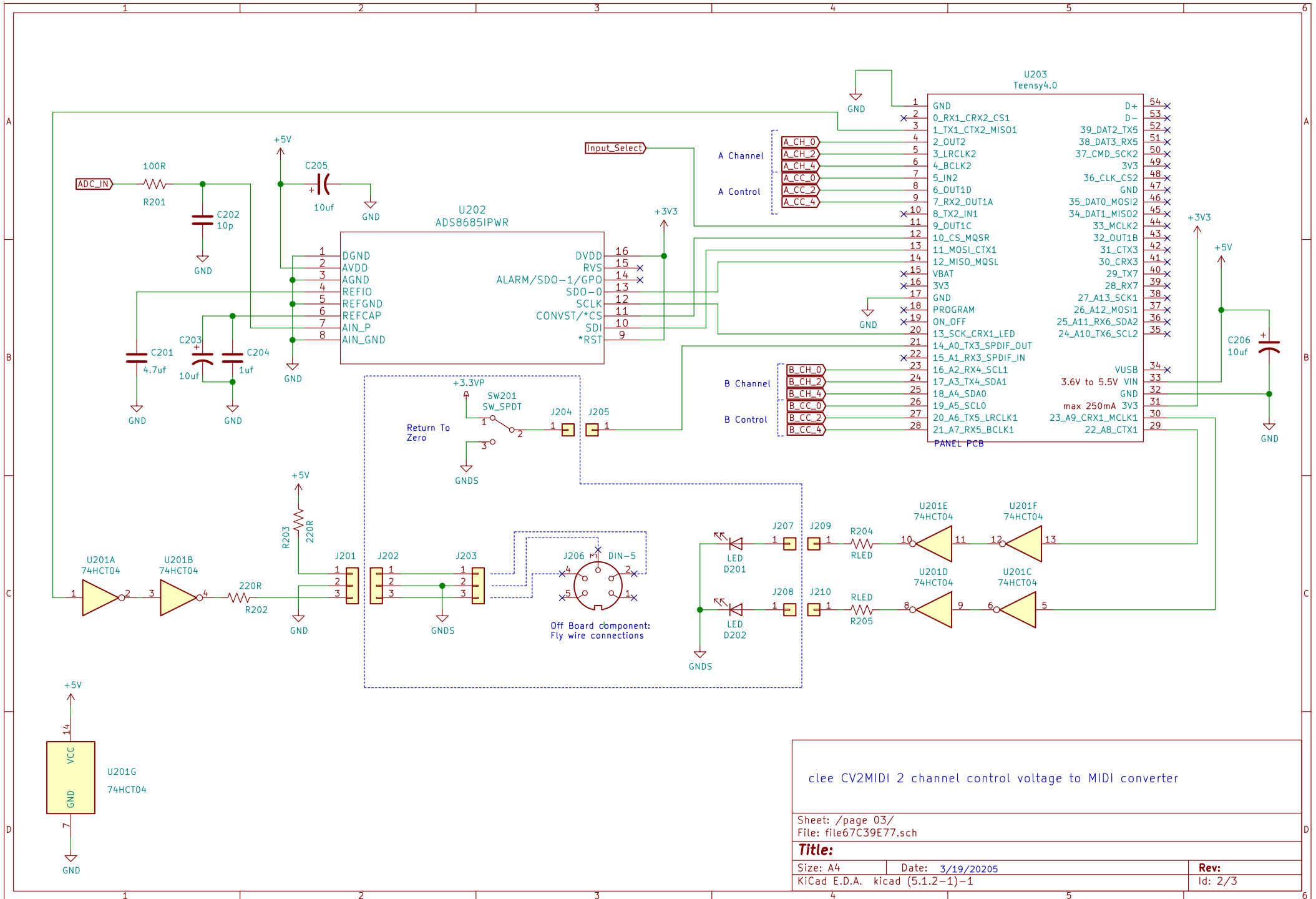
KiCad E.D.A. kicad (5.1.2-1)-1

page 02
file679BB614.sch

page 03
file67C39E77.sch



Rev:
Id: 1/3



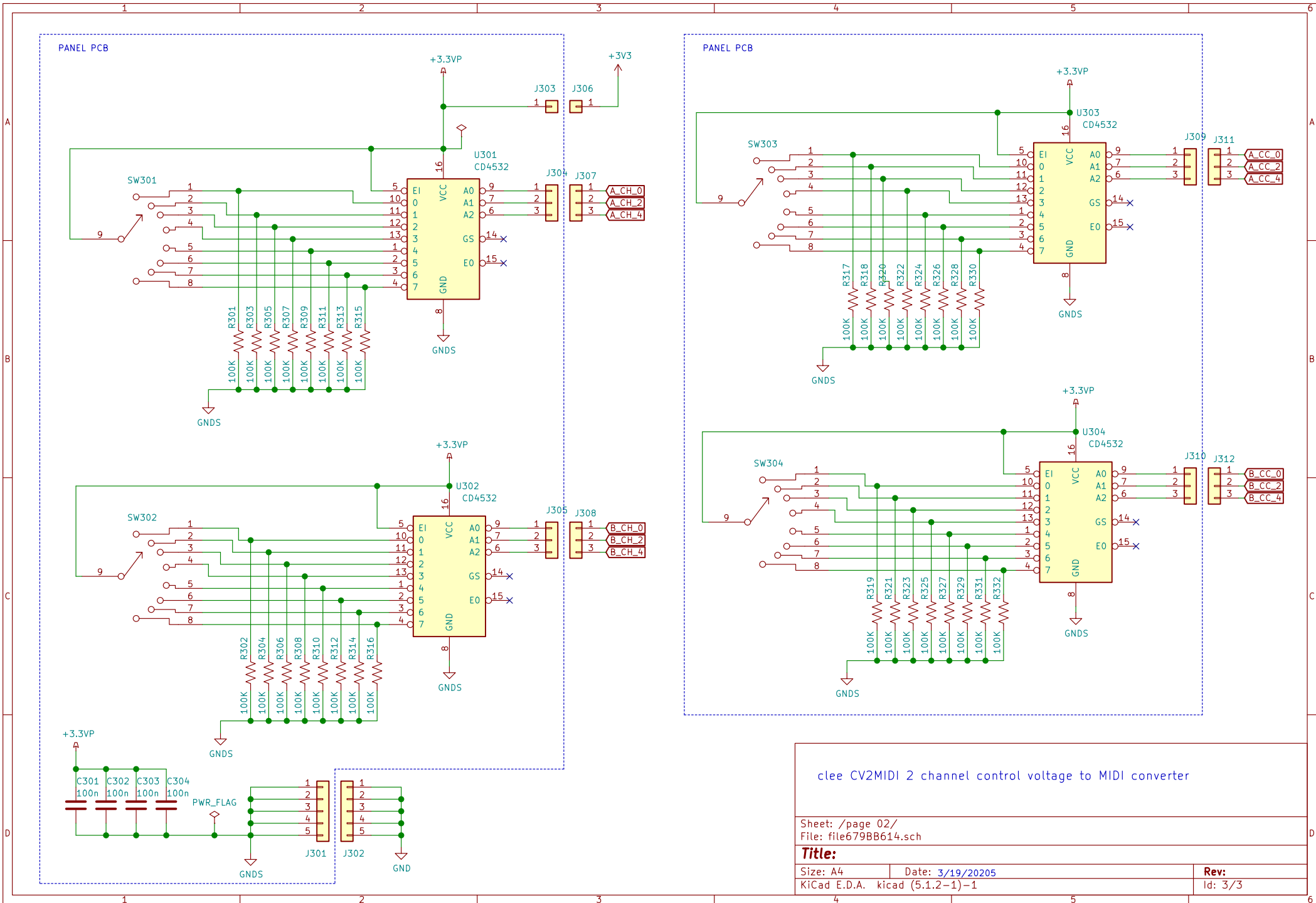
clee CV2MIDI 2 channel control voltage to MIDI converter

Sheet: /page 03/
File: file67C39E77.sch

Title:

Size: A4 Date: 3/19/20205

KiCad E.D.A. kicad (5.1.2-1)-1 Rev: Id: 2/3



clee CV2MIDI 2 channel control voltage to MIDI converter

Sheet: /page 02/
 File: file679BB614.sch

Title:	
Size: A4	Date: 3/19/20205
KiCad E.D.A. kicad (5.1.2-1)-1	Rev: Id: 3/3