

clee 4U format Gain Sequencer module

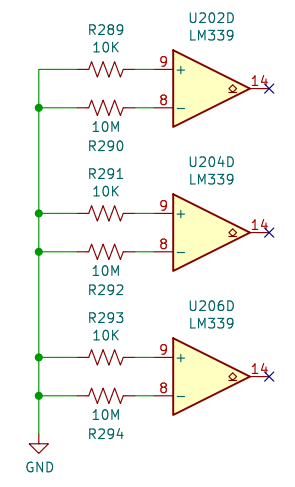
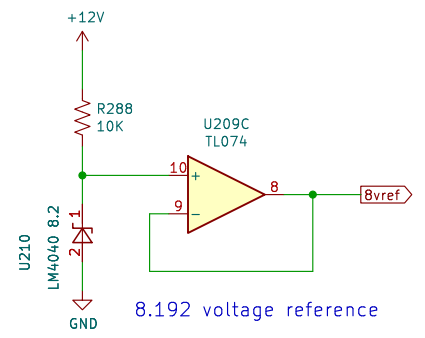
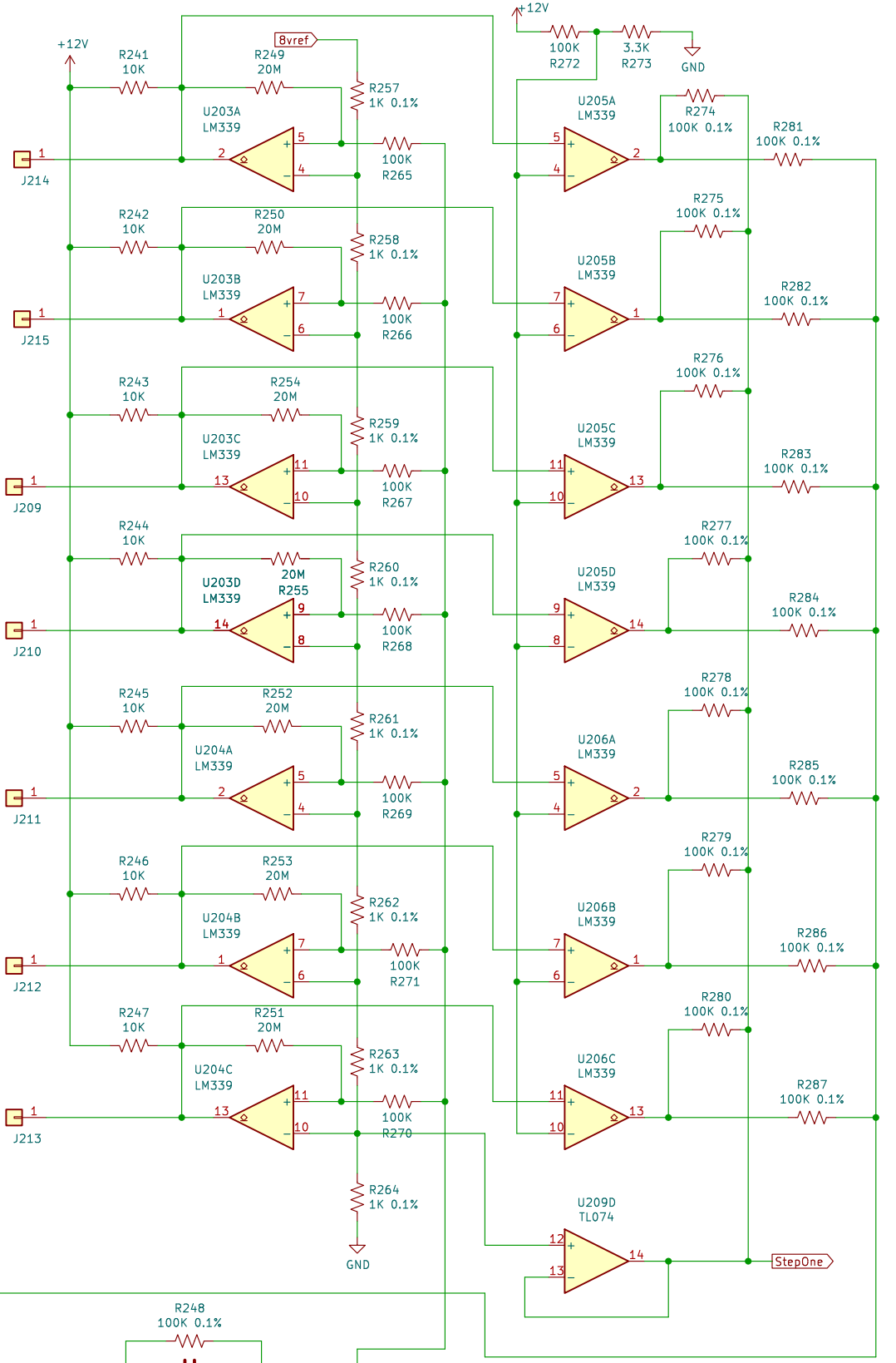
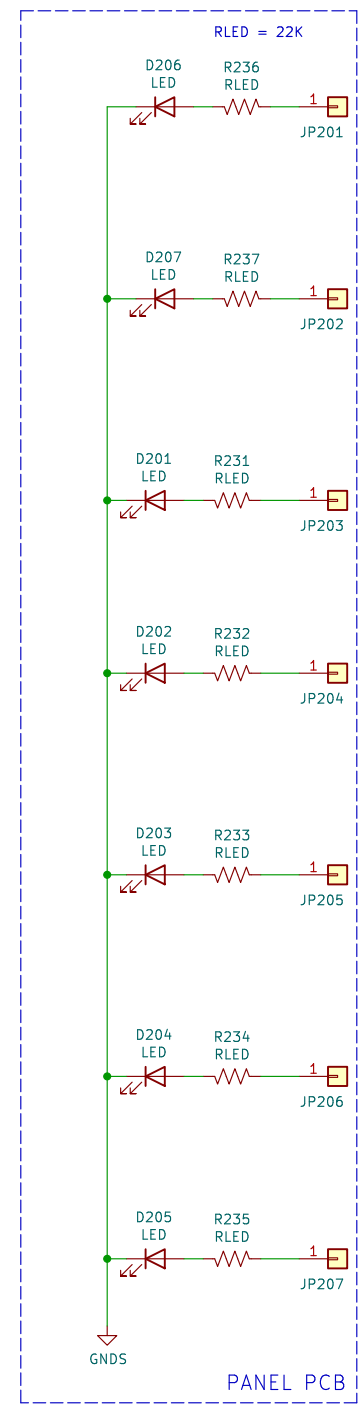
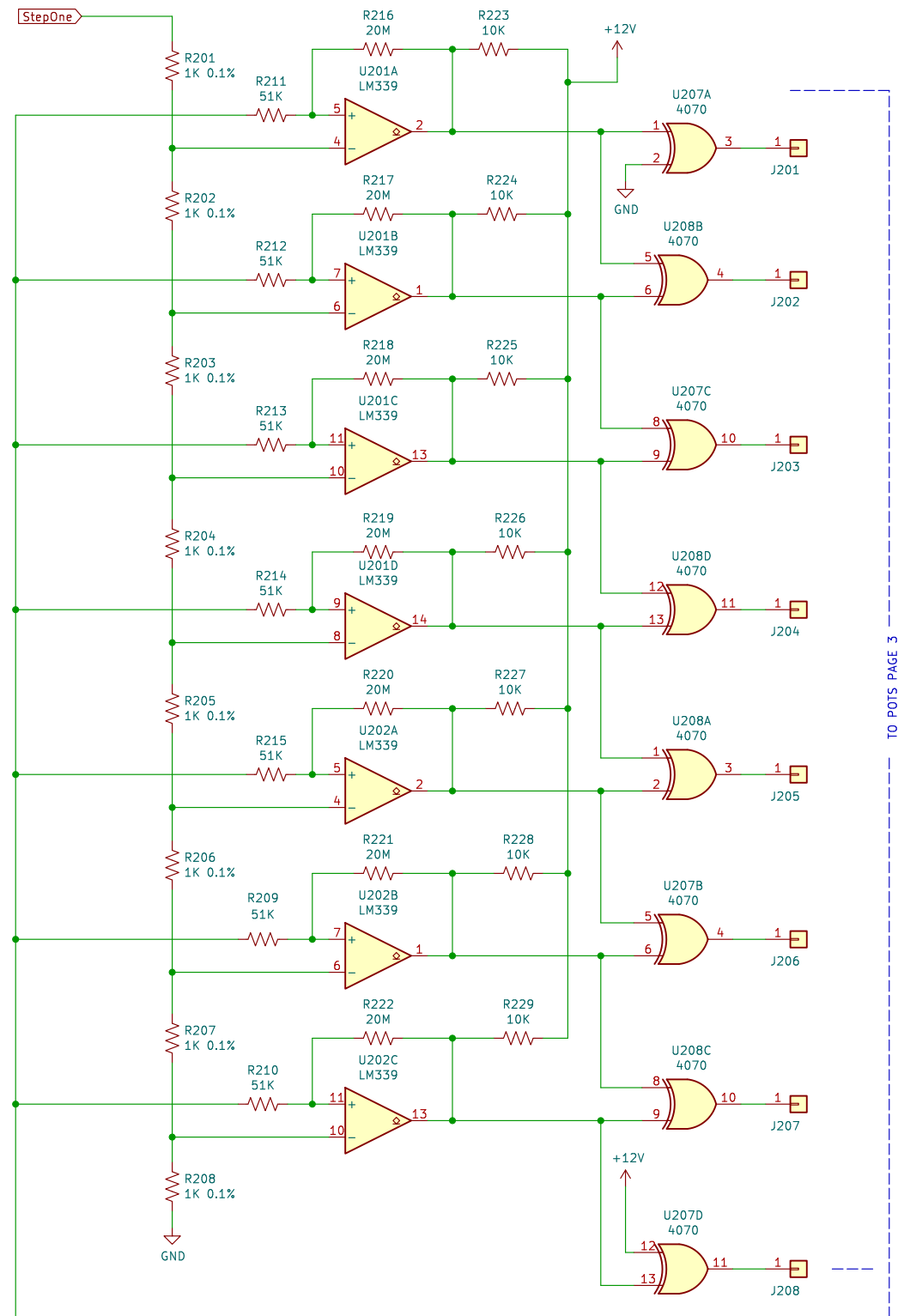
** NOTES:
 NF = not fitted
 BP = 100n ceramic bypass capacitor

Sheet: /
 File: FGS A.kicad_sch
Title: Looping Gain Sequencer
 Size: USLedger Date: Dec 16, 2024
 KiCad E.D.A. 8.0.7

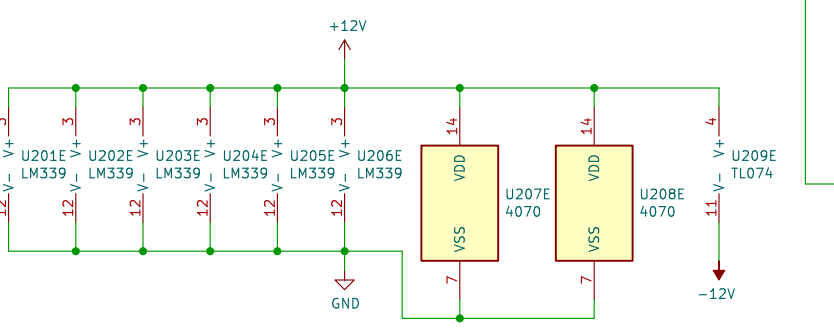
Page 2
 File: Page 2.kicad_sch

Page 3
 File: Page 3.kicad_sch

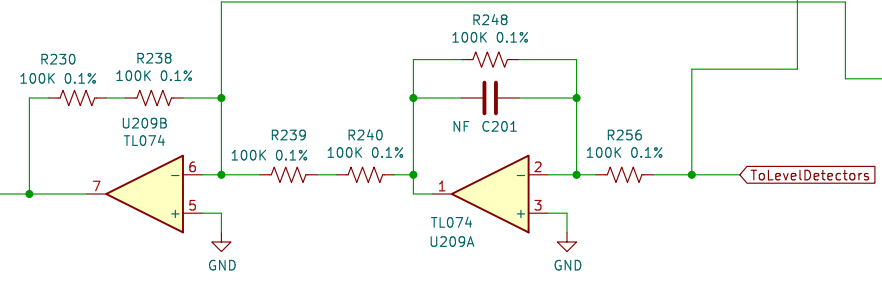
Rev: 1.0
 Id: 1/3



- H201 MountingHole
- H205 MountingHole
- H202 MountingHole
- H206 MountingHole
- H203 MountingHole
- H207 MountingHole
- H204 MountingHole
- H208 MountingHole

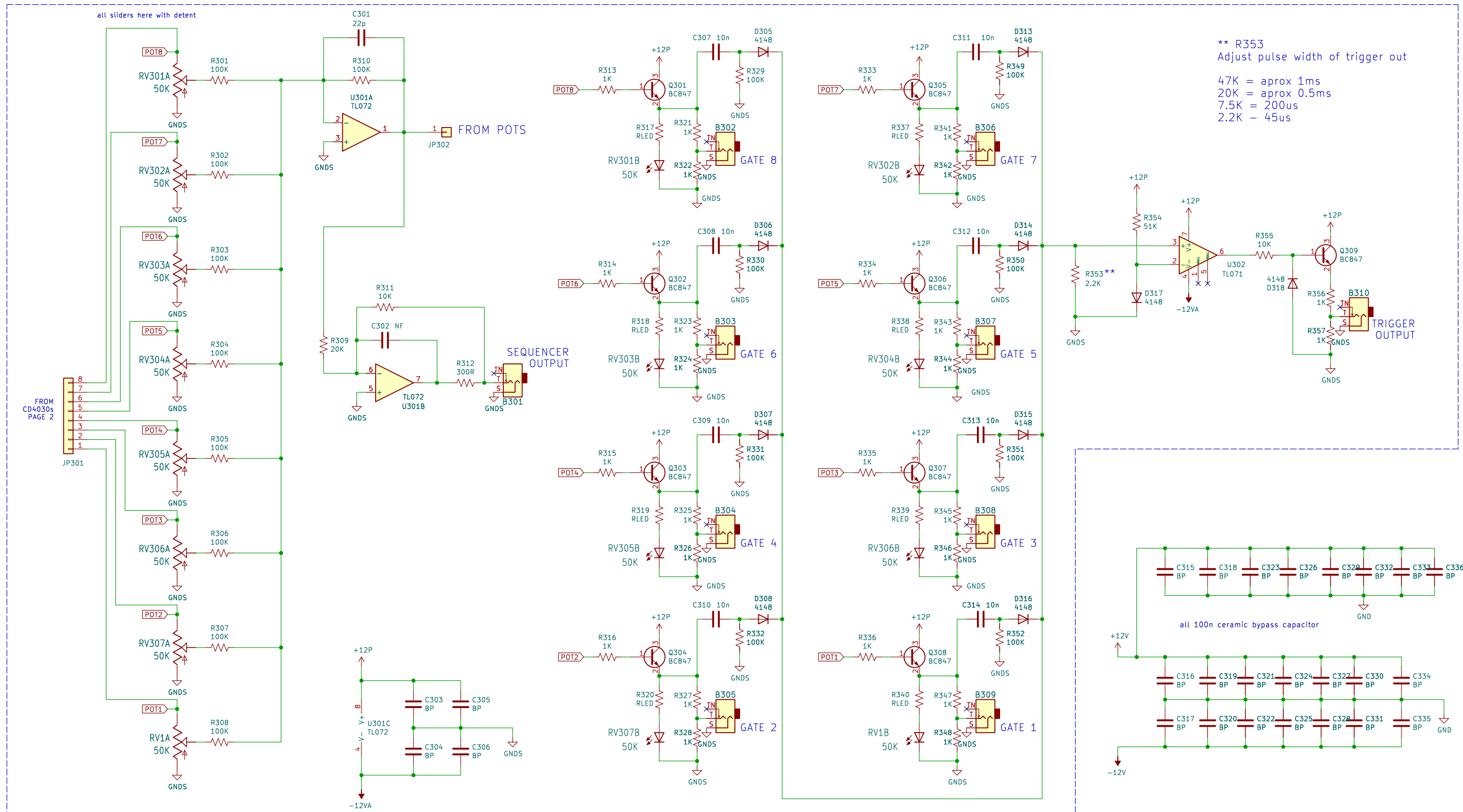


LEVEL DETECTORS



clee 4U format Gain Sequencer module

** NOTES:
 NF = not fitted
 BP = 100n ceramic bypass capacitor



** R353
Adjust pulse width of trigger out

47K = aprox 1ms
20K = aprox 0.5ms
7.5K = 200us
2.2K = 45us

PANEL PCB

SEQUENCER

clee 4U format Gain Sequencer module

** NOTES:
NF = not fitted
BP = 100n ceramic bypass capacitor

Sheet: /Page 3/
File: Page 3.kicad_sch
Title: Looping Gain Sequencer
Size: USLedger Date: Dec 16, 2024
KiCad E.D.A. 8.0.7 Rev: 1.0
Id: 3/3