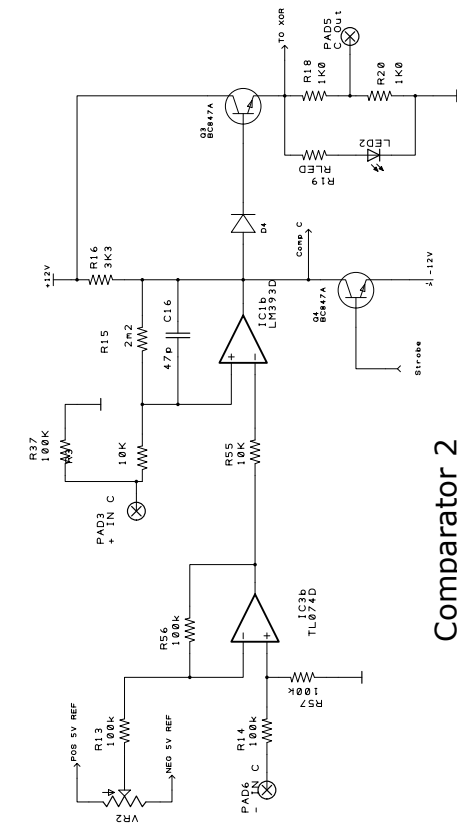
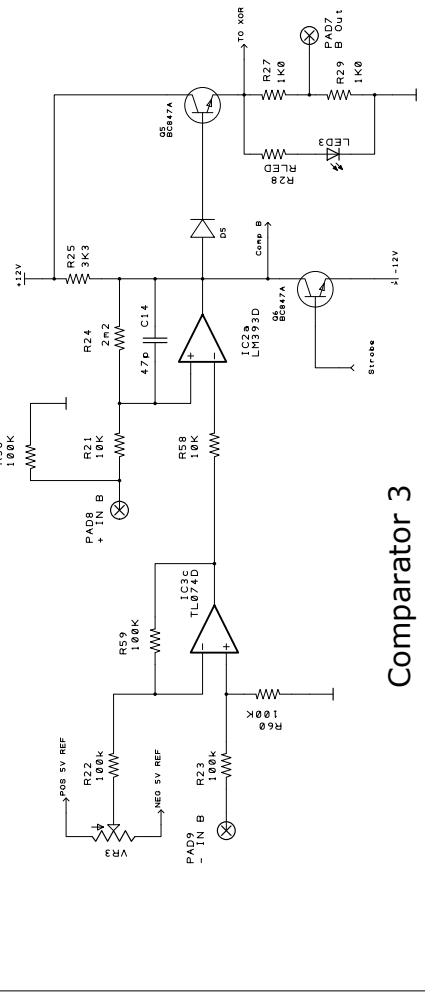


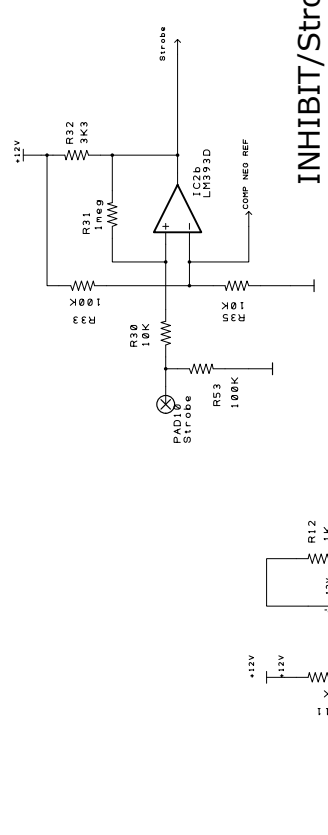
Comparator 1



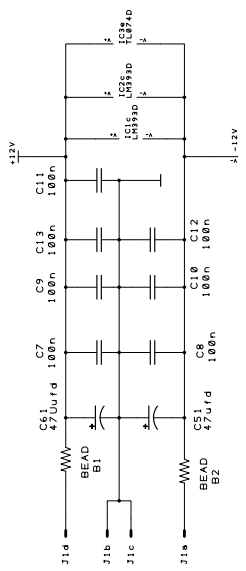
Comparator 2

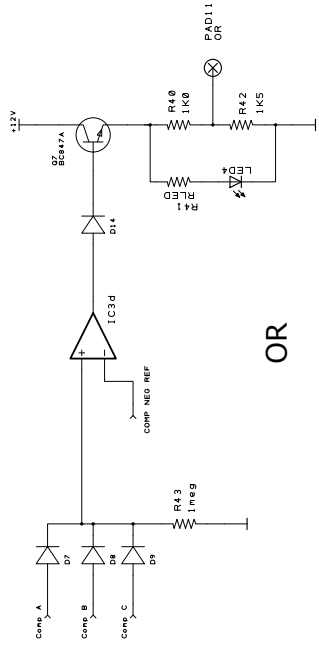


Comparator 3

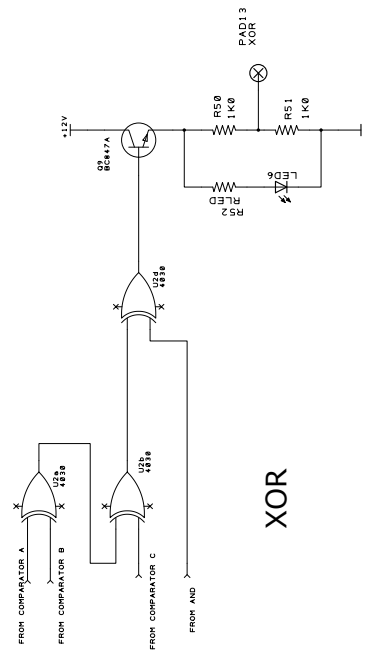


INHIBIT/Strobe

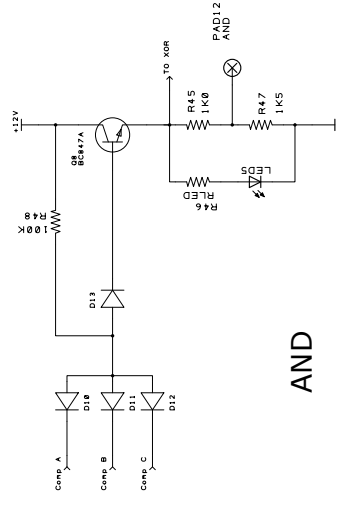




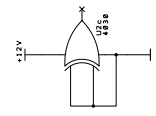
OR

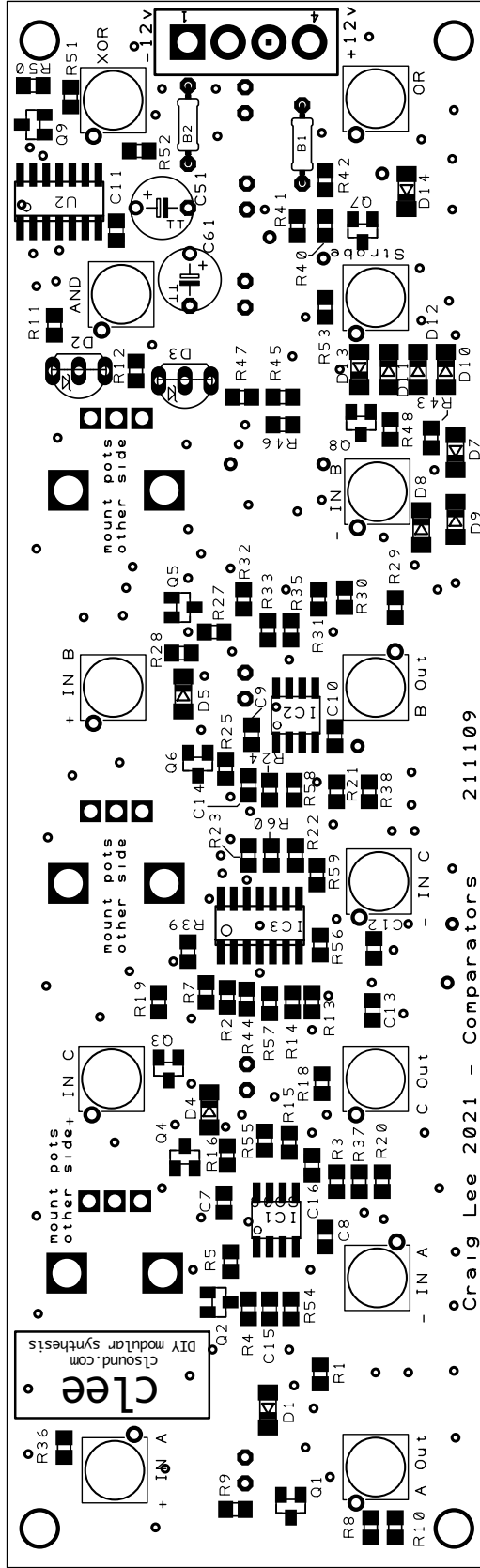


XOR

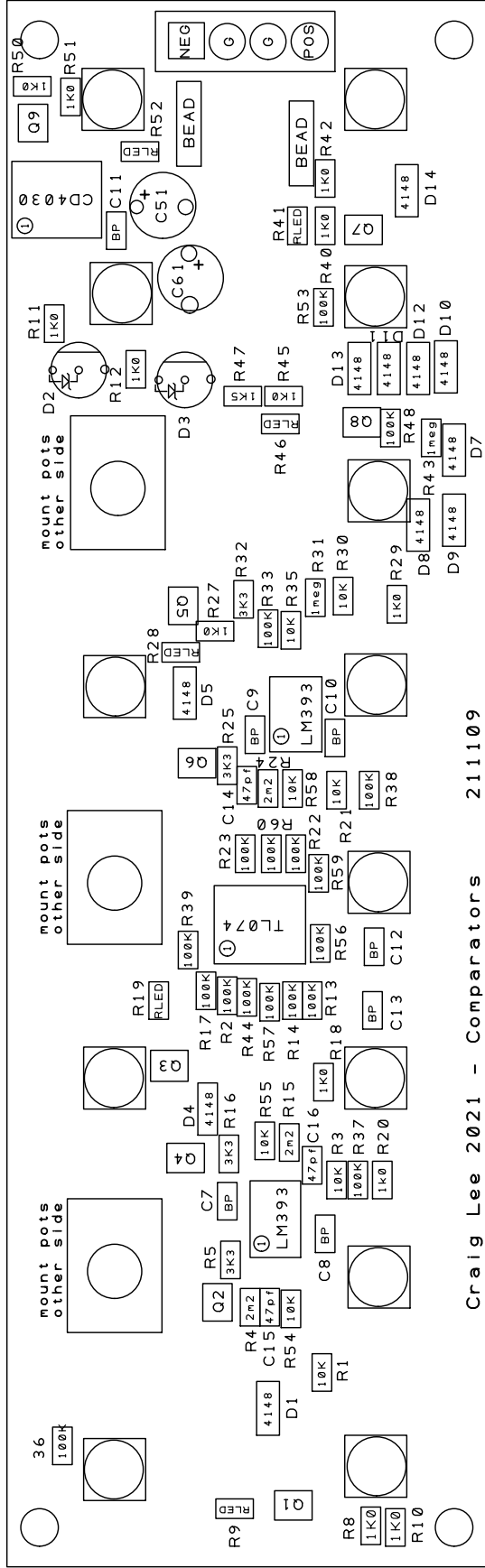


AND





Craig Lee 2021 - Comparators 211109



Craig Lee 2021 - Comparators 211109

BP =100n ceramic bypass capacitor

RLED =choose for brightness and LED type

clec Comparators

BOM

Resistors

13	1K0	R0805 smt	Tayda A-3065
1	1K5		Tayda A-3069
4	3K3		Tayda A-3077
8	10K		Tayda A-3089
6	RLED (33K)		Tayda A-3096
18	100K		Tayda A-3113
2	1meg		Tayda A-3137
3	2m2		Tayda A-3145

Capacitors

3	47pfd	C0805 smt	Tayda A-3517
7	100n		Tayda A-3511
2	47ufd	Through hole	Tayda A-4518

Misc

2	ferrite beads	Through hole	Tayda A-3204
6	3mm LED	Through hole	Tayda A-261

Semiconductors

2	LM393	SO08 Dual Comparator	Tayda A-4638
1	TL074	SO14 Quad Op Amp	Tayda A-1137
1	CD4030	SOIC Quad XOR	Digi-key 296-24348-1-ND
9	BC847	SOT23 NPN Transistor	Tayda A-1339
11	4148 type diode	SOD80C	Tayda A-1339
4	LM4040 5v or 5.1V Zener	Through hole	(Zener) Tayda A-2397 (LM4040) Digi-key LM4040DIZ-5.0/NOPB

Hardware

3	100K linear pots	9mm PCB mount	Tayda A-1848
13	(Blue) Banana Jacks		Digi-key J155-ND
6	LED bezel		Digi-key SMB_200_CTP-ND