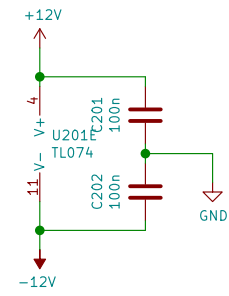
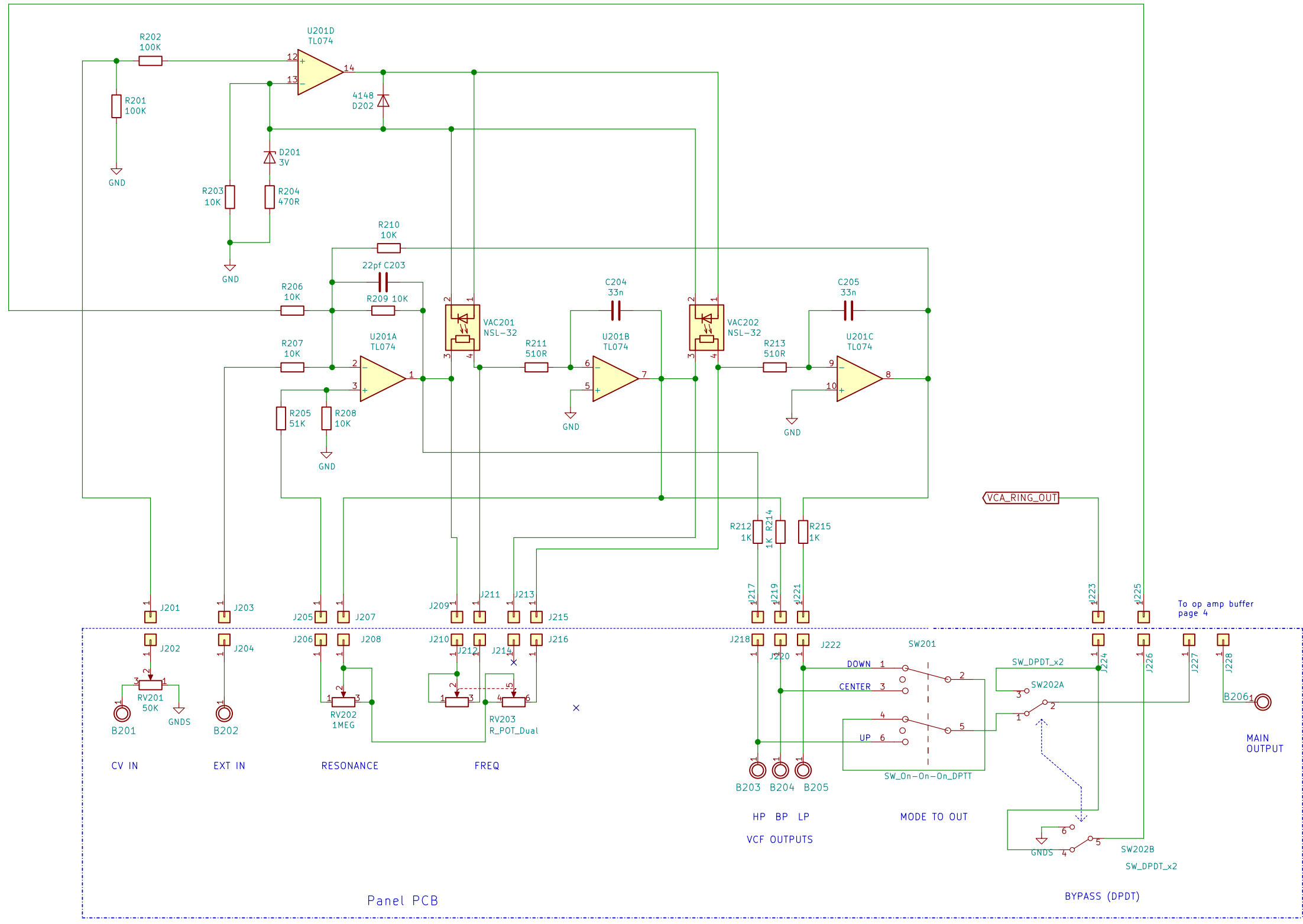
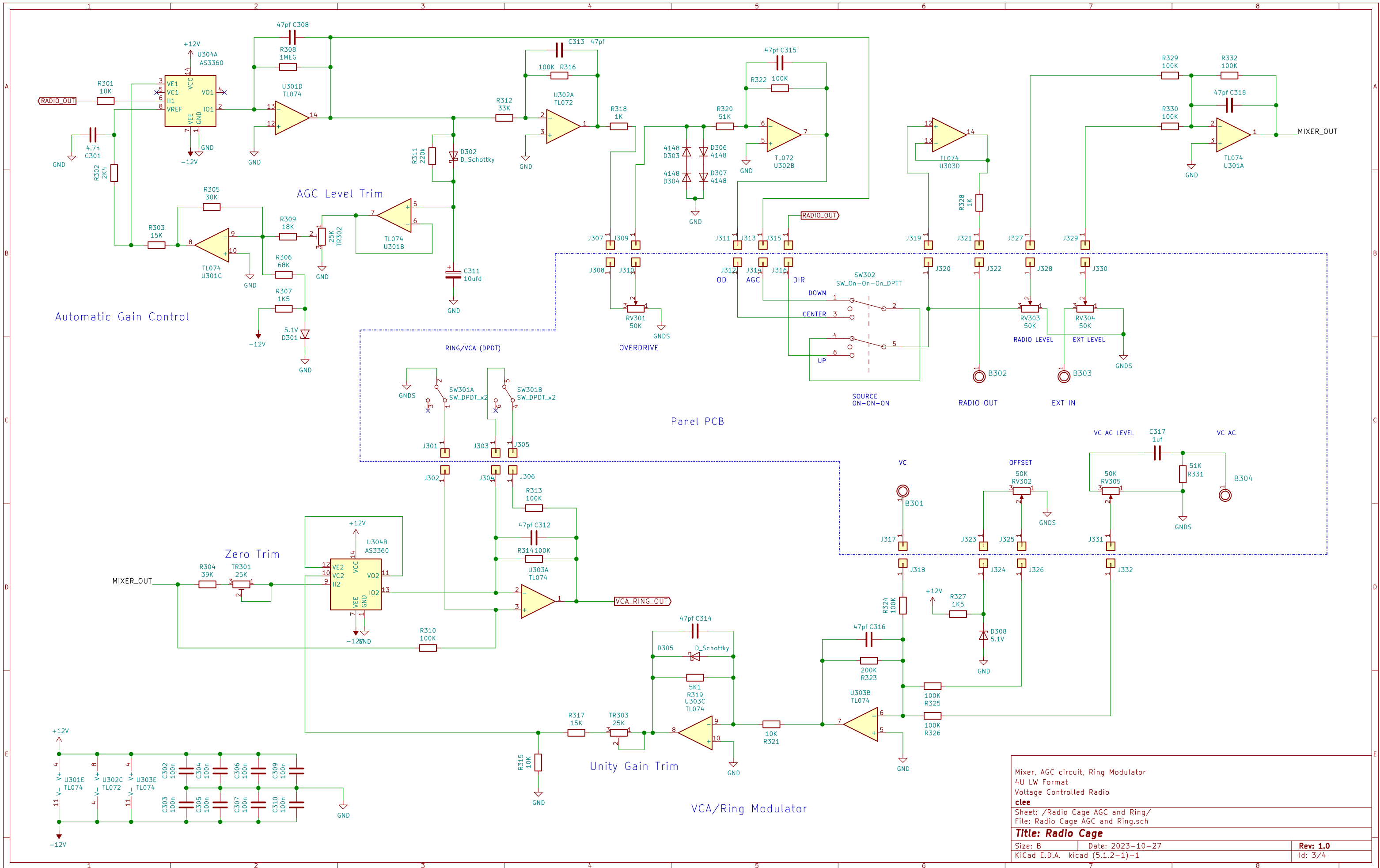


4U LW Format Voltage Controlled Radio clee		
Sheet: / File: Radio Cage.sch		
Title: Radio Cage		
Size: USLedger	Date: 2023-10-27	Rev: 1.0
KiCad E.D.A. kicad (5.1.2-1)-1		Id: 1/4

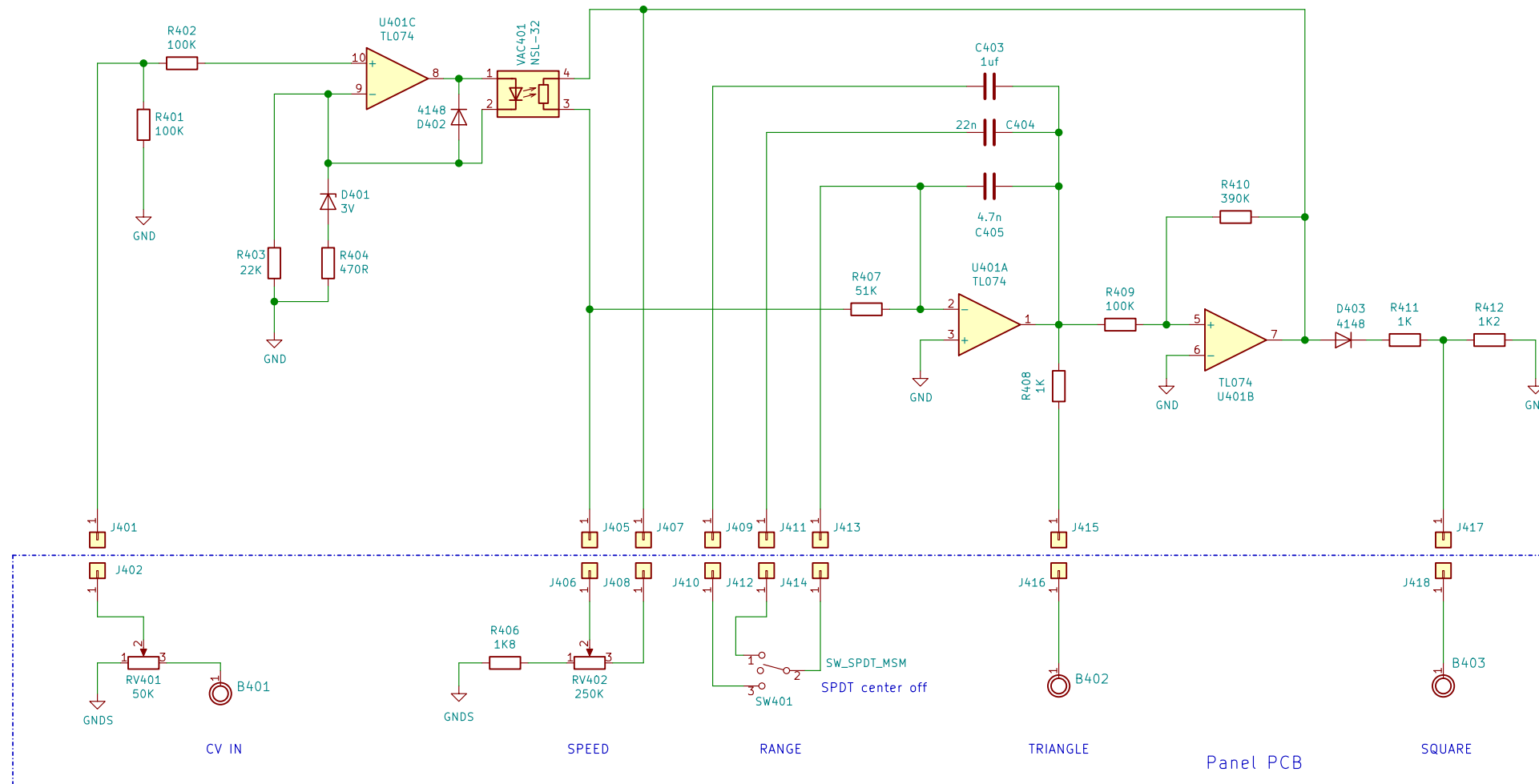


Voltage Controlled Filter

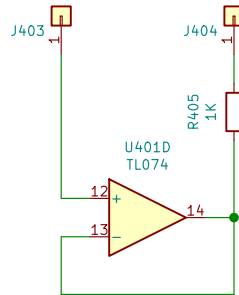
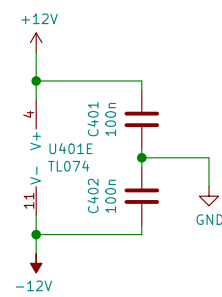
VC State Variable Filter 4U LW Format Voltage Controlled Radio clee		
Sheet: /Radio Cage VCF/ File: RADIO CAGE VCF.sch		
Title: Radio Cage		
Size: USLedger	Date: 2023-10-27	Rev: 1.0
KiCad E.D.A.	kiCad (5.1.2-1)-1	Id: 2/4



Mixer, AGC circuit, Ring Modulator
 4U LW Format
 Voltage Controlled Radio
clec
 Sheet: /Radio Cage AGC and Ring/
 File: Radio Cage AGC and Ring.sch
Title: Radio Cage
 Size: B Date: 2023-10-27 Rev: 1.0
 KiCad E.D.A. kicad (5.1.2-1)-1 Id: 3/4



Voltage Controlled LFO



Main output buffer
page 2

- H401 MountingHole
- H402 MountingHole
- H403 MountingHole
- H404 MountingHole
- H405 MountingHole
- H406 MountingHole
- H407 MountingHole
- H408 MountingHole
- H409 MountingHole
- H410 MountingHole
- H411 MountingHole
- H412 MountingHole
- H413 MountingHole
- H414 MountingHole
- H415 MountingHole
- H416 MountingHole

VC LFO
4U LW Format
Voltage Controlled Radio
clee
Sheet: /LFO/
File: LFO.sch

Title: Radio Cage

Size: USLedger | Date: 2023-10-27
KiCad E.D.A. kicad (5.1.2-1)-1

Rev: 1.0
Id: 4/4