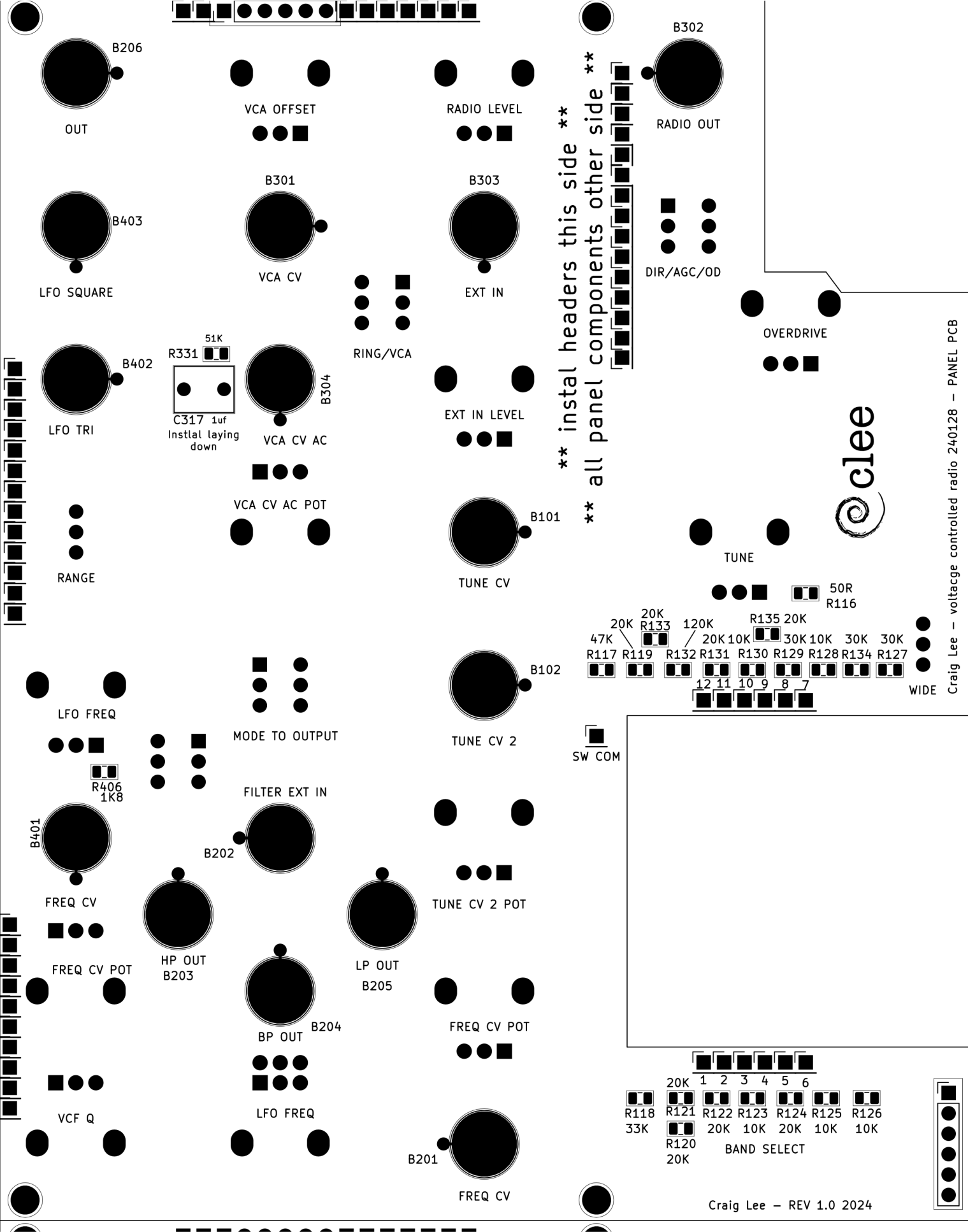


** instal headers other side **

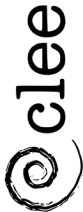
Craig Lee - voltage controlled radio 240128

Radio Cage
Craig Lee - REV 1.0 2024





** instal headers this side **
 ** all panel components other side **



Craig Lee - voltage controlled radio 240128 - PANEL PCB

